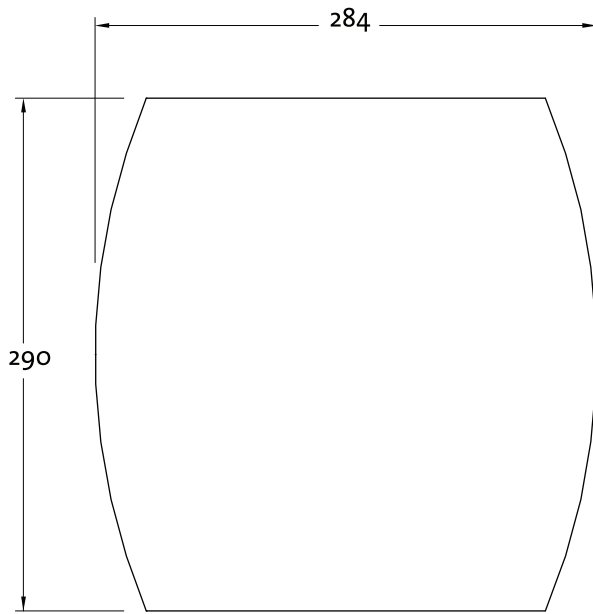


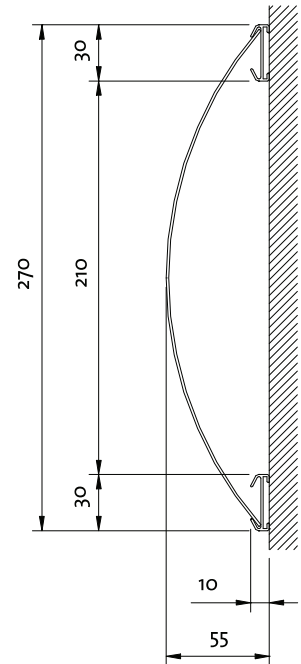
SPECIFICATIONS

STANDARD WOVIN® TILE

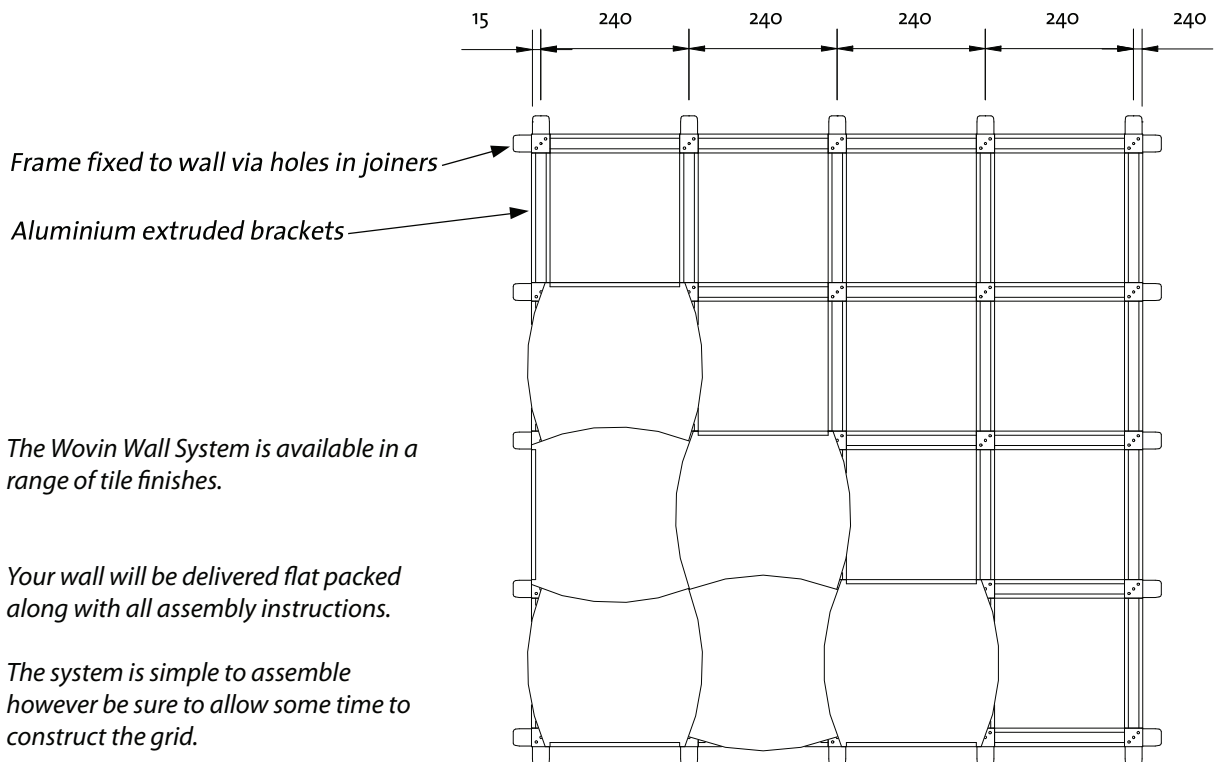
[wovin®]



Wovin Wall System Standard Tile



Enlarged section view through individual tile



The Wovin Wall System is available in a range of tile finishes.

Your wall will be delivered flat packed along with all assembly instructions.

The system is simple to assemble however be sure to allow some time to construct the grid.

Available exclusively from:

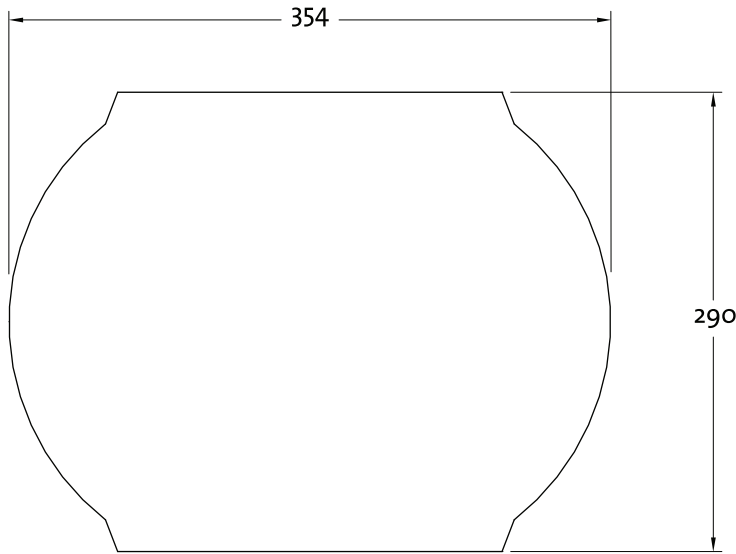
[wovin®]

The Wovin Wall is the subject of international patent and registered design rights. Wovin, Wovin Wall System and the Wovin Wall logo are trade marks of Wovin Wall Pty Limited. All rights reserved.

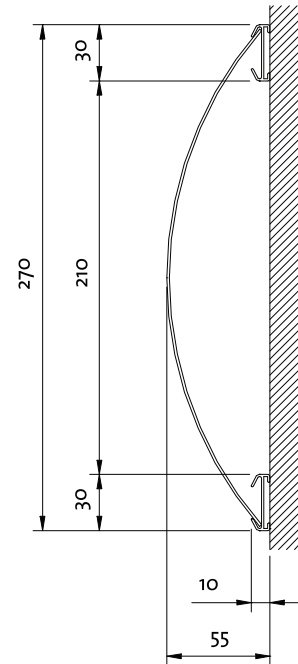
All measurements are in millimetres

SPECIFICATIONS

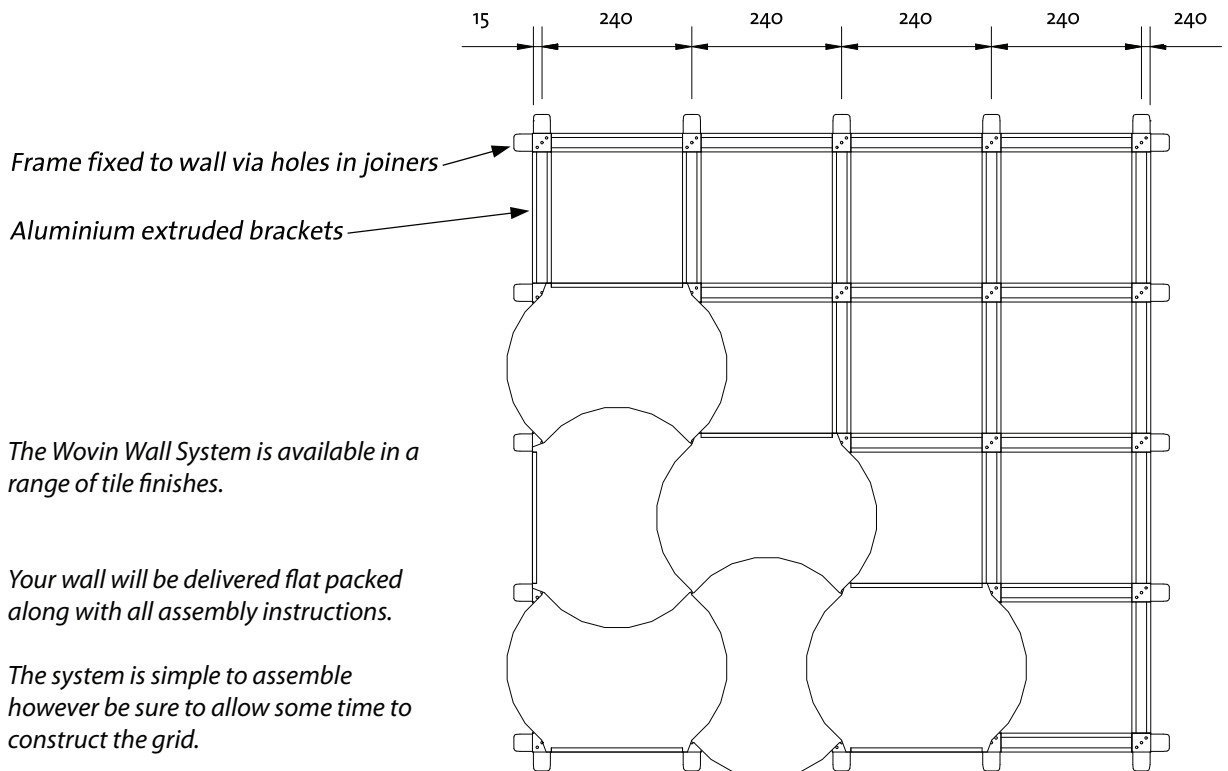
OVAL WOVIN® TILE



Wovin Wall System Oval Tile



Enlarged section view through individual tile



Available exclusively from:



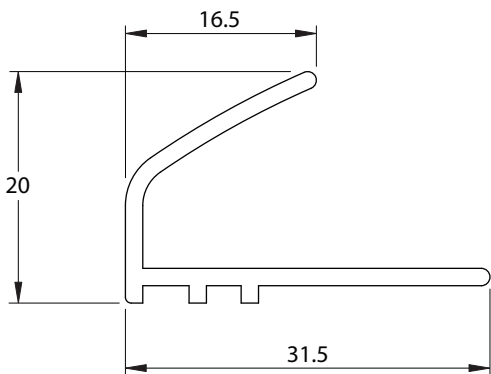
The Wovin Wall is the subject of international patent and registered design rights.
Wovin, Wovin Wall System and the Wovin Wall logo are trade marks of Wovin Wall Pty Limited. All rights reserved.

All measurements are in millimetres

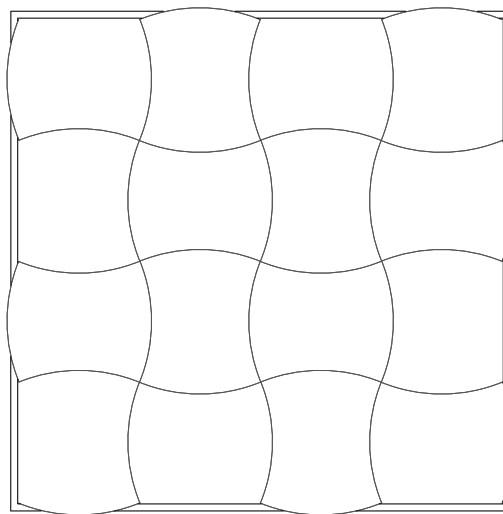
SPECIFICATIONS

STANDARD WOVIN® EDGING

[wovin®]

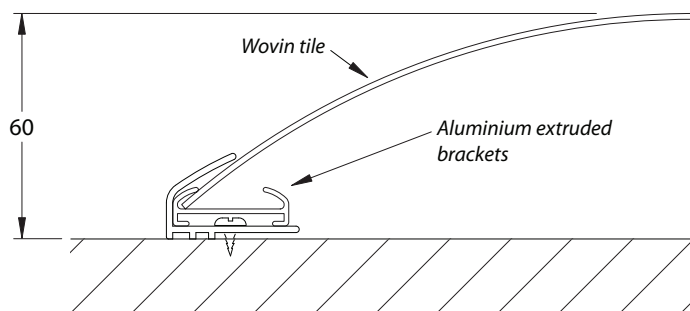


Standard Edging Cross-Section



Wall Featuring Standard Edging

Direct to Wall



Standard Edging Fitted Directly to Wall

The Wovin Wall System can be ordered with Standard Edging which is made from extruded Aluminium. This can either be anodised to retain the Aluminium aesthetic (usually with a satin finish) or it can be powdercoated to achieve a customised colour frame.

Available exclusively from:

[wovin®]

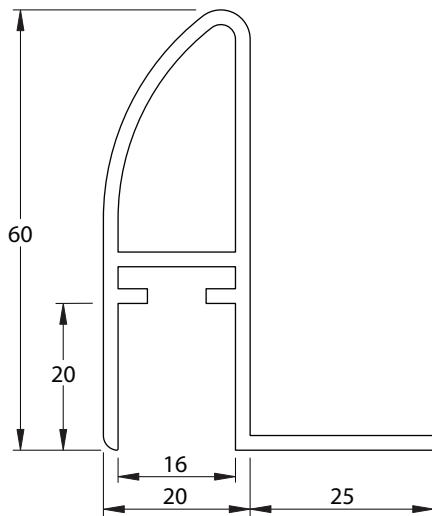
The Wovin Wall is the subject of international patent and registered design rights.
Wovin, Wovin Wall System and the Wovin Wall logo are trade marks of Wovin Wall Pty Limited. All rights reserved.

All measurements are in millimetres

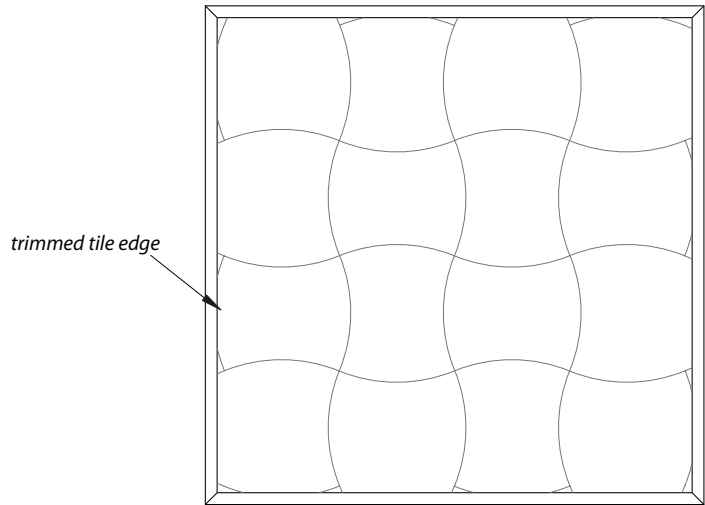
SPECIFICATIONS

DELUXE WOVIN® EDGING

[wovin®]



Deluxe Edging Cross-Section

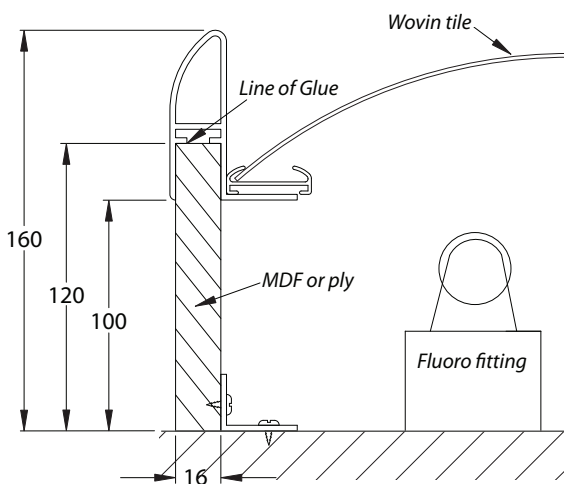


Wall Featuring Deluxe Edging

The Wovin Wall System can be ordered with Deluxe Edging which is made from extruded Aluminium. This can either be anodised to retain the Aluminium aesthetic (usually with a satin finish) or it can be powdercoated to achieve a customised colour frame.

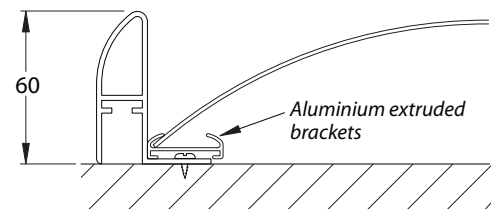
Tiles along the edge are trimmed to sit neatly within the boundaries of the frame as shown.

The Deluxe Edging can either be mounted directly to the existing wall or can be used to create a lightbox by fitting the edging to a timber frame which provides clearance for fluorescent light fittings.



Lightbox
(Deluxe Edging combined with timber frame)

Lightbox applications using standard shaped tiles will, if viewed from an angle, show the light fittings installed behind the grid, unless a screening is used. Oval shaped tiles with their closer overlap, will hide the light fittings.



Direct to Wall
(Deluxe Edging fitted to wall)

Available exclusively from:

[wovin®]

The Wovin Wall is the subject of international patent and registered design rights.
Wovin, Wovin Wall System and the Wovin Wall logo are trade marks of Wovin Wall Pty Limited. All rights reserved.

All measurements are in millimetres

TILE MATERIALS

WOVIN WALL®



Polypropylene

P001 - Burgundy - Opaque
P002 - Red - Opaque
P003 - Orange - Opaque
P004 - Yellow - Opaque
P005 - Apple Green - Opaque
P006 - White - Opaque
P007 - Grey - Opaque
P008 - Oxford Blue - Opaque
P009 - Aqua Blue - Opaque
P010 - Bottle Green - Opaque
P011 - Black - Opaque
P012 - Navy - Opaque
P013 - Purple - Opaque
P014 - Cobalt - Opaque

T001 - Mandarin - Translucent
T002 - Emerald - Translucent
T003 - Blueberry - Translucent
T005 - Cherry - Translucent
T006 - Grape - Translucent
T007 - Vanilla - Translucent
T008 - Lemon - Translucent
T009 - Strawberry - Translucent
T010 - Cosmo - Translucent

Navlam - Real Timber Laminates

Arcadian Oak - Sandblasted
Beachwood - Sandblasted
Bella Noce - Sandblasted
Brindle Oak - Sandblasted
Bunya - Sandblasted
Chai - Sandblasted
Cherry Qtr Cut - Sandblasted
Ebano Rosso - Sandblasted
Grey Gum - Sandblasted
Nabone - Sandblasted
Oak - Sandblasted
Rosewood - Sandblasted
Sable Oak - Sandblasted
Teak - Sandblasted
Walnut - Sandblasted
Wenge Crown - Sandblasted

Barossa - Polyurethane
Cherry Swirl - Polyurethane
Ebano Noce - Polyurethane
Marrakesh - Polyurethane
Matai - Polyurethane
Olive Blueberry - Polyurethane
Red Wenge - Polyurethane
Snow Birch - Polyurethane

Aluminium

A001 - Natural Anodised Aluminium

Printed - Oval Tiles Only

Printed PVC
Printed PETG

Laminate

L002 - HV Ultra White - Gloss

For additional finishes and colours available,
please contact your Wovin representative.

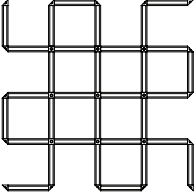
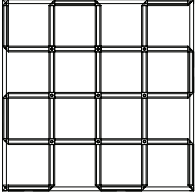
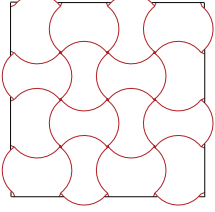
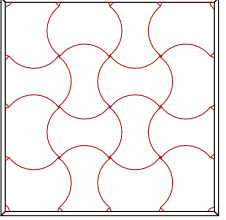
Available exclusively from:



The Wovin Wall is the subject of international patent and registered design rights.
Wovin, Wovin Wall System and the Wovin Wall logo are trade marks of Wovin Wall Pty Limited. All rights reserved.

MEASUREMENT GUIDE FOR THE **WOVIN WALL**® SYSTEM

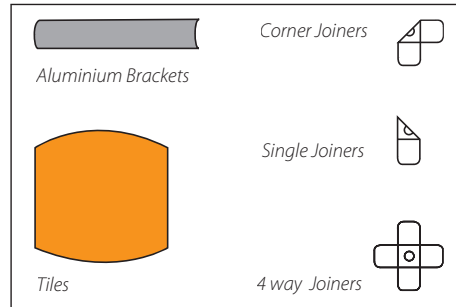
Due to the interlocking nature of the wovin tiles and the various choices available for tiles and frames, we suggest you use the table provided below to assist you in measuring up correctly for your Wovin Wall. All measurements are in millimetres.

Number of interlocking tiles (across or down)	 Size of mounting grid with no frame	 Mounting grid with standard frame	Fully assembled with standard frame which creates a staggered edge >		Fully assembled with deluxe frame which creates a straight edge >	
			Standard Tiles	Oval Tiles	Standard Tiles	Oval Tiles
1	270	275	290	360	310	310
2	510	515	530	600	550	550
3	750	755	770	840	790	790
4	990	995	1010	1080	1030	1030
5	1230	1235	1250	1320	1270	1270
6	1470	1475	1490	1560	1510	1510
7	1710	1715	1730	1800	1750	1750
8	1950	1955	1970	2040	1990	1990
9	2190	2195	2210	2280	2230	2230
10	2430	2435	2450	2520	2470	2470
11	2670	2675	2690	2760	2710	2710
12	2910	2915	2930	3000	2950	2950
13	3150	3155	3170	3240	3190	3190
14	3390	3395	3410	3480	3430	3430
15	3630	3635	3650	3720	3670	3670
16	3870	3875	3890	3960	3910	3910
17	4110	4115	4130	4200	4150	4150
18	4350	4355	4370	4440	4390	4390
19	4590	4595	4610	4680	4630	4630
20	4830	4835	4850	4920	4870	4870

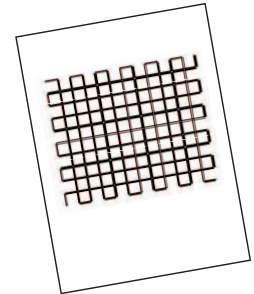
WOVIN WALL® ASSEMBLY INSTRUCTIONS



Your Wovin Wall kit will contain the following parts flat-packed along with all assembly instructions:

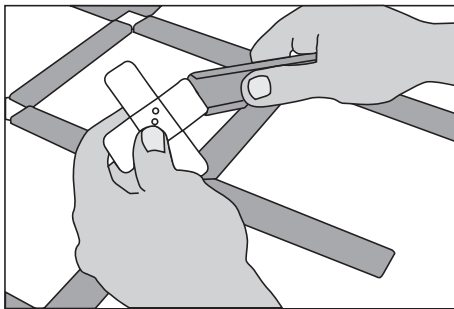


In your Wovin Wall kit you will also find a drawing showing the layout of the mounting grid for your wall. When your frame is fully assembled it should look like the drawing. Use this as a guide when following the instructions below.



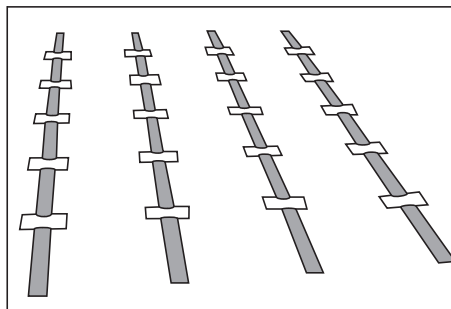
The system is simple to assemble however be sure to allow some time to construct the grid.

ASSEMBLING THE GRID 1



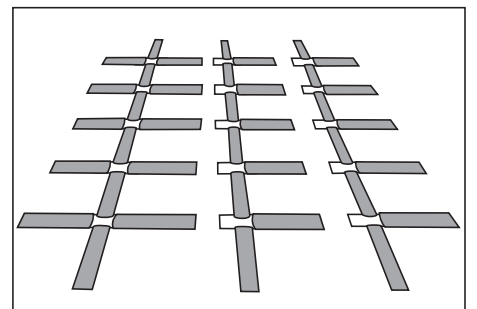
The mounting grid is assembled by sliding the joiners into the groove in the back of the aluminium brackets as shown in diagram 1.

2



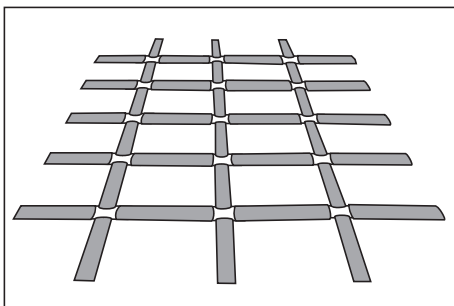
Start by assembling all the full vertical lengths of the frame as shown above and lay them out next to each other. The grid is best assembled on a large table or floor to avoid possible damage during assembly.

3



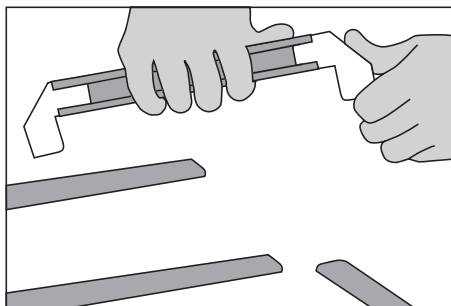
Attach horizontal brackets onto the joiner tabs sticking out on the right side of each vertical length, as above. For the first length on the left, attach horizontal brackets onto the tabs on the left side as well.

4



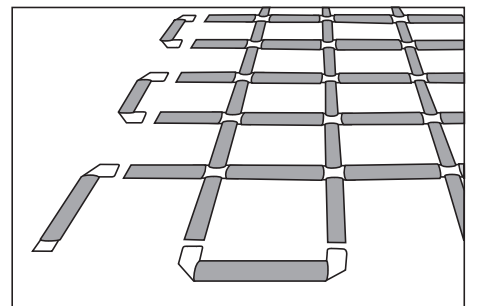
Join the horizontal brackets on one vertical length to the tabs on the next length as shown above. For large wall areas it may be easier to assemble the grid in smaller sections, we recommend a full vertical height by 4-6 tiles wide.

5



Attach corner joiners to each end of an aluminium bracket as shown above. Following the instruction layout supplied put together enough of these to form the edges of the mounting grid.

6

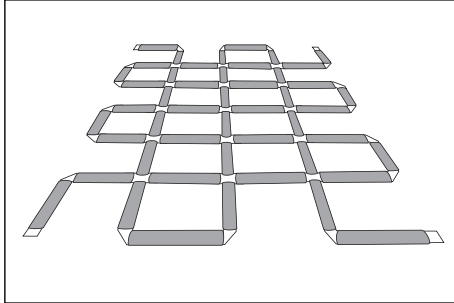


Following the instruction layout supplied, attach brackets with corner joiners around the edges as shown above.

WOVIN WALL® ASSEMBLY INSTRUCTIONS

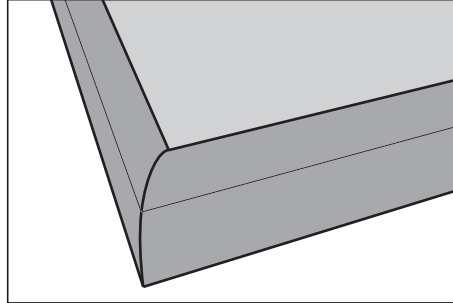
7

OPTIONAL EDGING



Your finished mounting grid should have every second bracket missing around the perimeter of the frame.

8



If you have ordered standard or deluxe edging to create an outside border you will need to screw it in place on the wall prior to mounting the grid. This will help you to locate the grid on the wall.

9

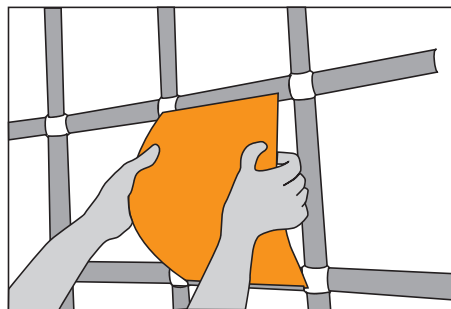
INSTALLING THE GRID



Carefully lift the completed grid and position on the wall. Fasten with screws through the holes in the joiners as shown above.

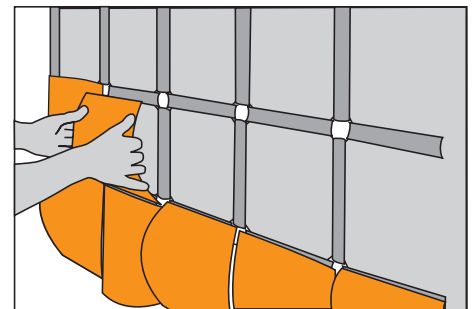
INSTALLING THE TILES

10



Tiles clip into the outermost ridge of each bracket, as shown above, alternating between horizontal and vertical alignment.

11



Starting in any corner, insert tiles across the row, alternating between horizontal and vertical as shown above.

If you have assembled your wall in smaller sections, screw the first section to the wall, then slide the next section onto the joiner tabs and fasten it in place as shown in diagram 8. Continue until all sections are fastened.

NB: If you have attached any optional edging you will need to leave screws out of the joiners around the very edge.

Available exclusively from:

[wovin®]

The Wovin Wall is the subject of international patent and registered design rights.

Wovin, Wovin Wall System and the Wovin Wall logo are trade marks of Wovin Wall Pty Limited. All rights reserved.